



3451 E. Harbour Dr. Phoenix Arizona, 85034
Phone: (602)437-8500
www.norcimbus.com

HMI Controlled – Delivery System (Inert, Toxic, & Haz)

NC3 Controller



Presenting the latest innovation from

Norcimbus

an industry leader in chemical and vapor
delivery systems



Innovation Experience Consistent Results

Innovation Experience Consistent Results

Innovation Experience Consistent Results

Norcimbus



3451 E. Harbour Dr. Phoenix Arizona, 85034
Phone: (602)437-8500
www.norcimbus.com

Upgrade Legacy or Build New: the NC3 is a Universal Controller

Single Process Panel Controller,
Automatic Cylinder Change-Out & Purge Routines



(With Changeover Communication Capability)

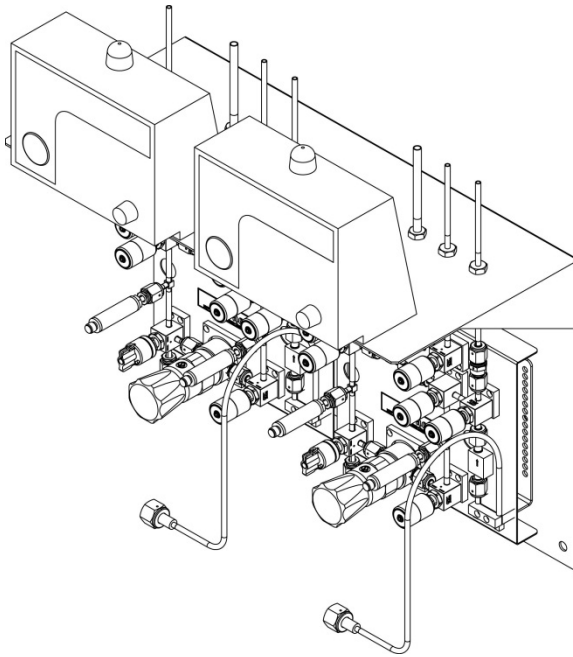
Innovation Experience Consistent Results

Norcimbus



Controller Highlights

- Simple to operate
- Small footprint
- Rugged construction
- Easily replaces existing controller
- Communicates with SCADA systems
- Semi S2 compliant
- Life safety and alarm monitoring
- Multiple configuration options



**Upgrade your legacy
delivery system**



3451 E. Harbour Dr. Phoenix Arizona, 85034

Phone: (602)437-8500

www.norcibus.com

Standard Features

Single Process Panel Controller

Auto-Switch Option

Emergency Safety Off (EMO)

Life Safety System and Alarms

Visual and Audible Alarms

User Defined Cabinet / Panel Name

User Defined Gas Species

Semi S2 Compliant

Rugged Construction

Available for Hazardous Environments

Siemens PLC 1214c

Siemens 4" Touch Screen HMI

User Accessible 24 VDC Power Source

Multiple Configuration Options

Panel Diagnostic Routine

Multi Level Password Access

Static Leak Testing (Pre/Post)

Pigtail Bleed

Vent Bleed

Purge Source Monitor

Cylinder Change-Out Routine

Manual Mode Operations

Consistent Results

Experience

Innovation

Norcibus



Configuration Options

Web Access - www.norcibus.com

Touchscreen - 4" Color HMI
 Communications - RS485 or Profinet
 Certification - C1D2 or ATEX
 Z Purge Monitor
 Pneumatic Source Monitor
 Exhaust Pressure Display
 Exhaust Switch



Introducing
 Norcibus
 Interactive Forms

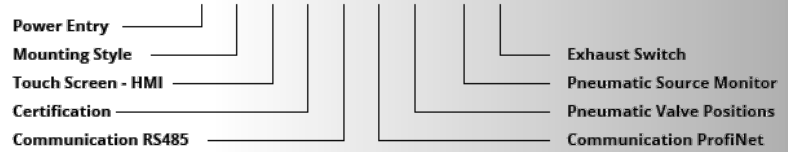


Smart Part number

Engineering Details

Part Number Configuration

NC3 - P F E 0 0 0 - N N - 0 0 0 0 Modifications



Reset

Controllers - Delivery Systems (Inert, Toxic, & Hazardous)

System Options

Power Entry <input checked="" type="checkbox"/> Plug Cord <input checked="" type="checkbox"/> Free Standing Touch Screen - HMI <input type="checkbox"/> 4" Gray Scale Certification <input checked="" type="checkbox"/> ETL <input type="checkbox"/> RS 485 Modbus Z-Purge Monitor <input checked="" type="checkbox"/> Not installed <input type="checkbox"/> Installed Pneumatic Source Monitor <input checked="" type="checkbox"/> Not installed <input type="checkbox"/> Installed Exhaust Switch <input type="checkbox"/> Time Delay <input type="checkbox"/> Low/Low Pressure Low Outlet Over-Pressure Switch <input checked="" type="checkbox"/> Not installed <input type="checkbox"/> Installed Panel Pressure Switch <input type="checkbox"/> High Side (P1) <input type="checkbox"/> Low Side (P2) Coax Monitoring <input checked="" type="checkbox"/> Not installed <input type="checkbox"/> Installed Modifications <input type="checkbox"/> MFM - Real Time Flow <input type="checkbox"/> Light Tower Alarm Display <input type="checkbox"/> Temperature Cooler <input type="checkbox"/> Heater Display	<input type="checkbox"/> Rigid Entry - 1/2" EMT <input type="checkbox"/> Rack Wall Mount <input type="checkbox"/> 4" Color <input type="checkbox"/> ATEX <input type="checkbox"/> ProfiNet <input type="checkbox"/> Warning Alarm <input type="checkbox"/> Warning Alarm <input type="checkbox"/> Warning <input type="checkbox"/> Shutdown <input type="checkbox"/> Low Pressure <input type="checkbox"/> Rupture Disc <input type="checkbox"/> Safety Relief Valve <input type="checkbox"/> Vacuum (P3) <input type="checkbox"/> Warning <input type="checkbox"/> Shutdown	Read Me
--	--	---

Additional Valve Control

<input checked="" type="checkbox"/> High Pressure Vent <input checked="" type="checkbox"/> Vacuum Gen. Valve Vacuum Gen. Bleed Valve <input checked="" type="checkbox"/> Installed <input type="checkbox"/> Not installed Purge Gas Bleed Valve <input type="checkbox"/> Installed <input type="checkbox"/> Not installed Cage <input type="checkbox"/> Installed <input type="checkbox"/> Not installed Automatic Cylinder Valve <input type="checkbox"/> Installed <input type="checkbox"/> Not installed Vent Valve Isolation Automatic <input type="checkbox"/> Installed <input type="checkbox"/> Not installed Vent Valve Isolation Manual <input type="checkbox"/> Installed <input type="checkbox"/> Not installed Manual Outlet Valve <input type="checkbox"/> Installed <input type="checkbox"/> Not installed Leak Test Valve <input type="checkbox"/> Installed <input type="checkbox"/> Not installed	<input checked="" type="checkbox"/> High Pressure Isolation <input checked="" type="checkbox"/> Purge Gas Inlet <input type="checkbox"/> Installed <input type="checkbox"/> Not installed <input type="checkbox"/> Installed <input type="checkbox"/> Not installed <input type="checkbox"/> Installed <input type="checkbox"/> Not installed <input type="checkbox"/> Installed <input type="checkbox"/> Not installed <input type="checkbox"/> Installed <input type="checkbox"/> Not installed <input type="checkbox"/> Installed <input type="checkbox"/> Not installed	<input type="checkbox"/> Low Pressure Vent <input checked="" type="checkbox"/> Low Pressure Isolation <input type="checkbox"/> Not installed <input type="checkbox"/> Not installed <input type="checkbox"/> Not installed <input type="checkbox"/> Not installed <input type="checkbox"/> Not installed <input type="checkbox"/> Not installed <input type="checkbox"/> Not installed <input type="checkbox"/> Not installed	Read Me
---	--	--	---

Part Number Configuration

NC3 - P F E 0 0 0 - N N - 0 0 0 0 Modifications

FTP Submit

Power Entry

Mounting Style

Touch Screen - HMI

Certification

Communication RS485

Exhaust Switch

Pneumatic Source Monitor

Pneumatic Valve Positions

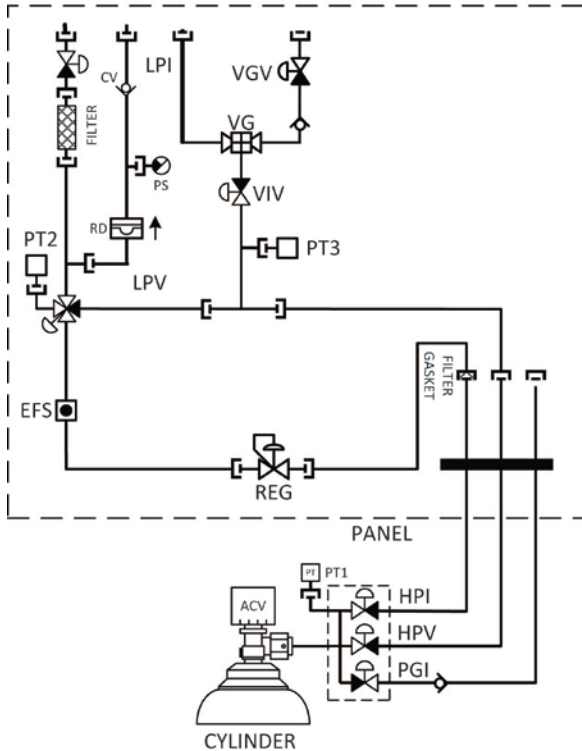
Communication Profinet

Engineering Details

Additional Features

Standard Valve Control

- High Pressure Vent Valve (HPV)
- Vacuum Generator Valve (VGV)
- High Pressure Isolation Valve (HPI)
- Purge Gas Inlet Valve (PGI)
- Low Pressure Valve (LPI)
- Low Pressure Valve (LPV)



Additional Valve Control

Standard Valve Control

- High Pressure Vent
- Vacuum Gen. Valve

Vacuum Gen. Bleed Valve

Purge Gas Bleed Valve

Cage

Automatic Cylinder Valve

Vent Valve Isolation Automatic

Vent Valve Isolation Manual

Manual Outlet Valve

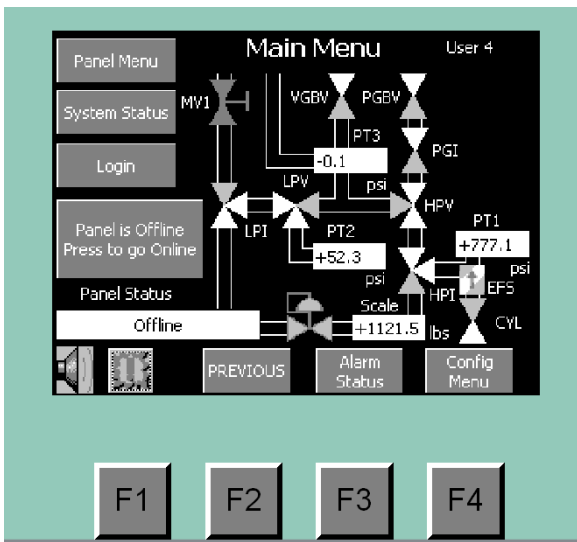
Leak Test Valve

- | | | |
|---|------------------------------------|--|
| <input checked="" type="checkbox"/> High Pressure Isolation | <input type="checkbox"/> Installed | <input checked="" type="checkbox"/> Low Pressure Vent |
| <input checked="" type="checkbox"/> Purge Gas Inlet | <input type="checkbox"/> Installed | <input checked="" type="checkbox"/> Low Pressure Isolation |
| <input type="checkbox"/> Installed | <input type="checkbox"/> Installed | <input checked="" type="checkbox"/> Not Installed |
| <input type="checkbox"/> Installed | <input type="checkbox"/> Installed | <input checked="" type="checkbox"/> Not Installed |
| <input type="checkbox"/> Installed | <input type="checkbox"/> Installed | <input type="checkbox"/> Not Installed |
| <input type="checkbox"/> Installed | <input type="checkbox"/> Installed | <input checked="" type="checkbox"/> Not Installed |
| <input type="checkbox"/> Installed | <input type="checkbox"/> Installed | <input checked="" type="checkbox"/> Not Installed |
| <input type="checkbox"/> Installed | <input type="checkbox"/> Installed | <input checked="" type="checkbox"/> Not Installed |

Available Options

Software Features - Automatic Routines

Innovation Experience Consistent Results



Automatic Routines

- Independent Outlet
- Auto Switch Over Signal
- Manual Mode
- Cylinder Change-Out
- Panel Purge
- Tool / Line Purge
- Real Time Flow - MFM

Diagnostic Routines

- Pressure Validation (P1,P2, & P3)
- Vent Valve Seat Leak (HPV & LPV)
- Regulator Creep
- Pigtail Leak - Pressure Loss
- Valve Seat Leak (HPI) High Side Isolation

User Configuration Options

Complete System Definition

User defined settings are captured and stored

Pressure Transducer (P1) High

Max Pressure Range
 Min Pressure Range
 Time Delay (Seconds)

Installed Not Installed 0-5 VDC 4-20 Ma
 High/High Pressure High Pressure
 Low/Low Pressure Low Pressure

(Settings will have enable, or disable alarm conditions available)

4-20mA Input - Weight Scale

Max Weight Range
 Min Weight Range
 Time Delay (Seconds)

Installed Not Installed 0-5 VDC 4-20 Ma
 High/High Weight High Weight
 Low/Low Weight Low Weight

(Settings will have enable, or disable alarm conditions available)

Cross-Over - Device Setup

Min Pressure Range
 Min Weight Range
 Time Delay (Seconds)

Pressure Pressure & Weight
 Weight Pressure or Weight

(Settings will have enable, or disable alarm conditions available)



3451 E. Harbour Dr. Phoenix Arizona, 85034
Phone: (602)437-8500
www.norcimbus.com

We have delivery system for all your needs

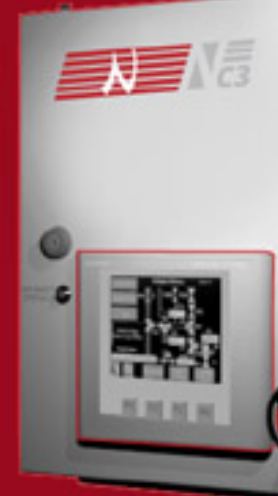
We have delivery systems for all your needs

Come visit us and see more new products.

www.norcimbus.com

**Gas and
Chemical
Control
at All
Levels**

LEARN MORE



Innovation Experience Consistent Results

Norcimbus

